

GENERAL FEATURES

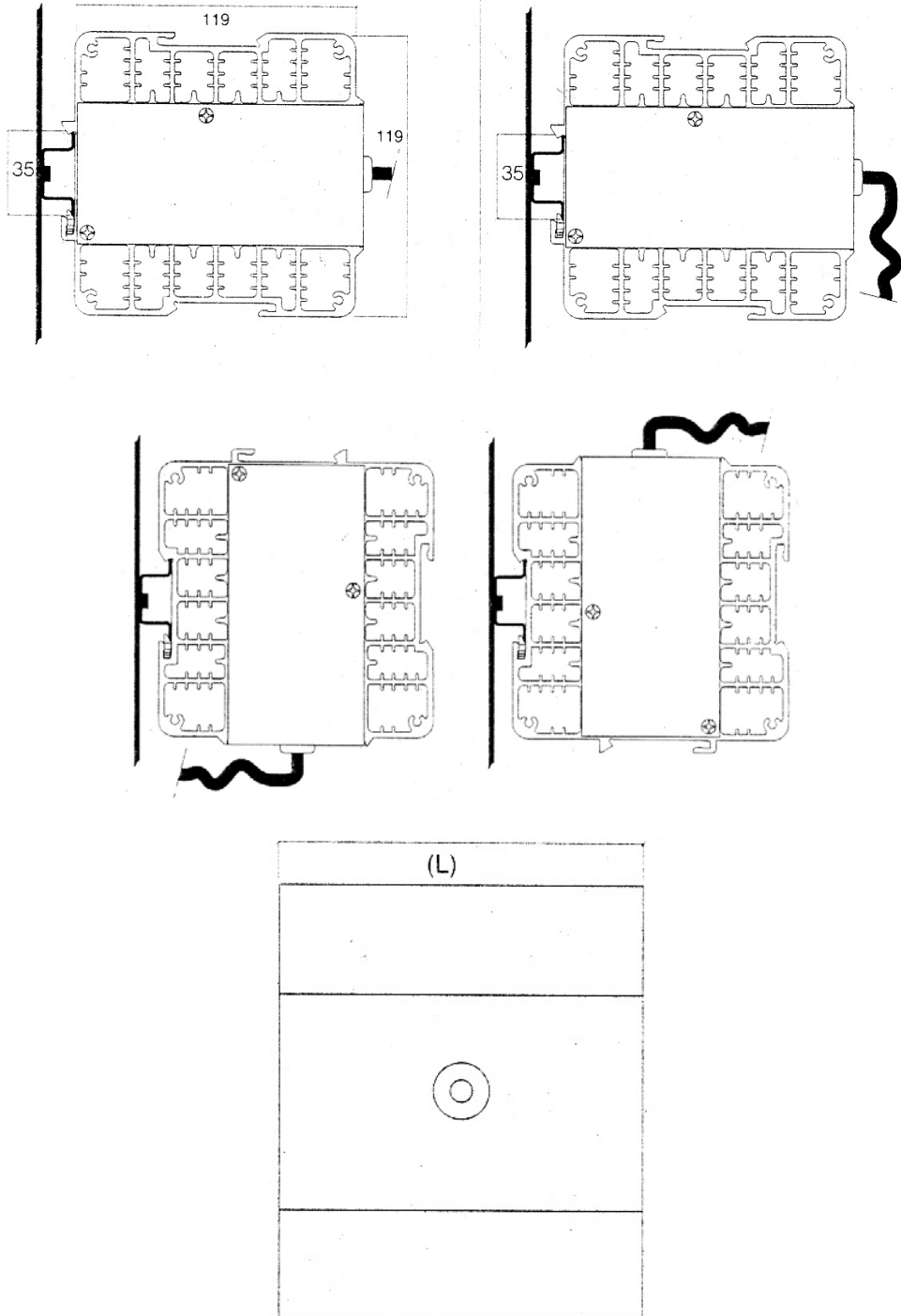
The formation of condensation and the high percentage of moisture inside the electrical panels are responsible for the oxidation of the equipment and the wires housed inside them. This leads to the loss of insulation and dielectric strength, as well as the onset of chemical reactions such as corrosion and phenomena of electrolysis.

The heaters restore the optimal temperature for the operation of the components which reduces these phenomena to a minimum. The heat sinks cannot exceed a maximum temperature of 60°C which guarantees safety and the possibility of use in plastic containers as well. The heat sink is made of anodized aluminium with vertical cooling fins for optimal heat transmission. They are supplied complete with a cable having a 0.75 mm² section and 400 mm in length.

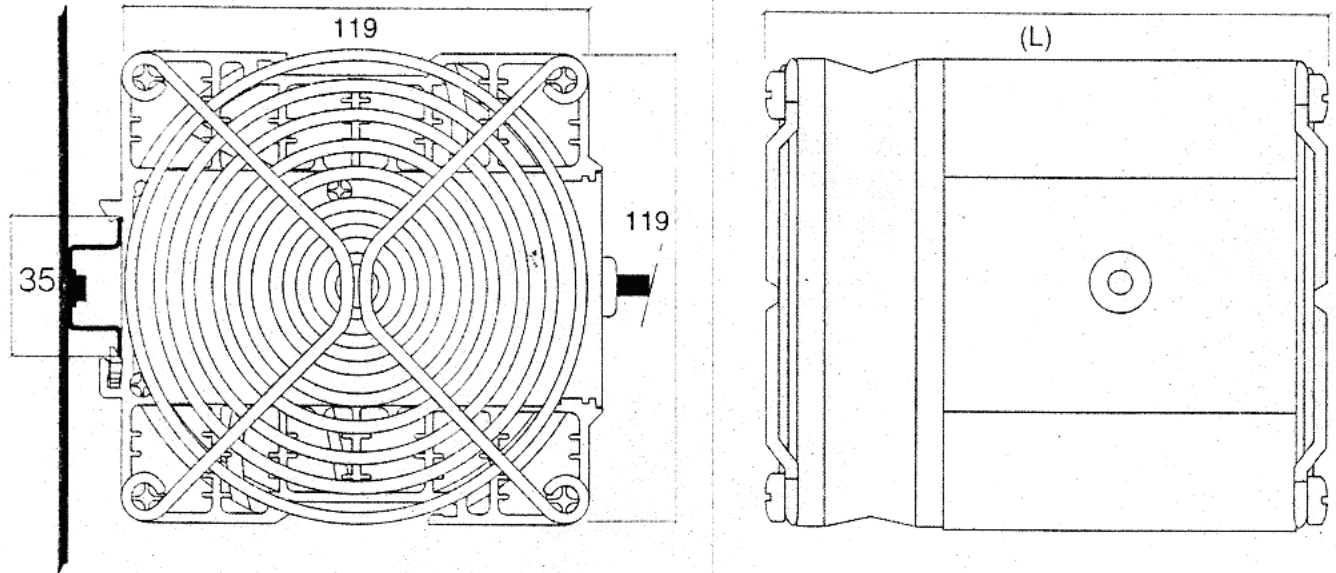
The heating element in the heaters is a PTC thermistor.

The heaters with fan comprise a heater, fan Q119, grill and screws.

GENERAL FEATURES



GENERAL FEATURES



| TYPE | | RACTN 30 | RACTN 60 | RACTN 80 | RACTN 100 | RACTN 150 | RACTN 200 |
|--|---------|------------------------------|-----------|-----------|-----------|-----------|-----------|
| Power rating | | 30 W | 60 W | 80 W | 100 W | 150 W | 200 W |
| Supply Voltage (Vac-Vdc) | | 100 ÷ 240 | 100 ÷ 240 | 100 ÷ 240 | 100 ÷ 240 | 100 ÷ 240 | 100 ÷ 240 |
| Protection degree | | IP 40 | | | | | |
| Protection degree with electric fan | | IP 20 | | | | | |
| Fixing | | Fast locking on shape DIN 35 | | | | | |
| DIMENSION | | | | | | | |
| Lenght | "L" mm | 20 | 30 | 50 | 80 | 100 | 120 |
| Height | "H" mm | 119 | 119 | 119 | 119 | 119 | 119 |
| Depth | "P" mm | 119 | 119 | 119 | 119 | 119 | 119 |
| Lenght with electric fan Q80 (230V - 50/60 Hz - 21W - 200m ³ /h) | "L1" mm | - | - | - | 130 | 150 | 170 |